





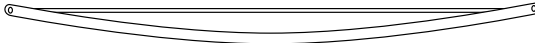
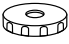





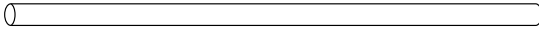

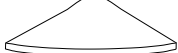




# ***Art Thatch™ Umbrella Kit Installation Guide***



# Parts List

Part #	Description	Name	Qty.
#1		Main Frame	1
#2		Small Cross Bar	8
#3		Medium Cross Bar	8
#4		Large Cross Bar	8
#5		Larger Cross Bar (9' and 11' frames)	8
#6		Largest Cross Bar (11' frame only)	8
#7		Curved Bottom Frame	8
#8		Lock Washer	1
#9		Large Nut	1
#10		Center Support Bracket	1
#11		Center Supports	4 (8)*
#12		Wood Screw Bolts	4
#13		Hardware Bag**	1
#14		Wood Pole (4" or 6" x 10 ft.)	1
#15		Thatch Panels for 7.5' Frame for 9.0' Frame for 11.0' Frame	12 20 30
#16		Top Cone	1

\* 11' Frame has 8 Center Supports

\*\* Nuts, Bolts, Clips

# Introduction

---

## Art Thatch™ Umbrella Kit

Thank you for purchasing an Art Thatch™ Umbrella Kit .

Your Umbrella Kit includes:

- Metal frame, unassembled
- Hardware
- Wood pole
- Artificial roof thatch panels
- Artificial thatch cone

## Umbrella Kit Sizes

The powder-coated steel frames come in three sizes; 7 ½ foot, 9 foot, and 11 foot diameters. These sizes are the overall umbrella diameters once assembled and completed with the thatch roof installed.

## Thatch Roof Panels

Each Umbrella Kit includes Zulu Reed™ or Baja Palm™ artificial thatch panels. Every frame size is designed to accept both types of thatch. Finish each frame with the included Top Cone.

## Before You Begin

These instructions contain important safety and general instructions to guide you in the assembly of the 7.5', 9' or 11' umbrella frames. Reading these instructions prior to attempting assembly will greatly simplify the procedure.

**!** **NOTE:** Instructions are included to install the new pole for your umbrella. An existing wood or metal pole (up to 6" in diameter) may also be used.

## Tools Required

- a. 13mm Wrench
- b. Ratchet Set (13mm)
- c. Drill with 3/4" bit
- d. Level
- e. Hacksaw (18 TPI)
- f. Protective Eye Wear

## Additional Materials (For Pole Installation)

- a. Cement
- b. Shovel

## Pole Installation

---

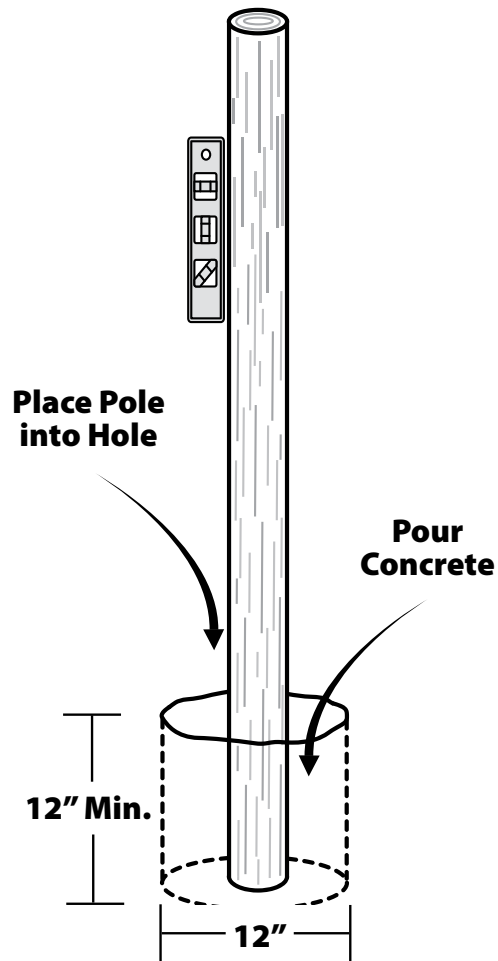
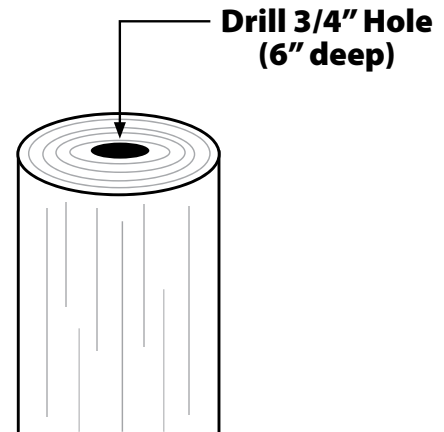
The Thatch Umbrella requires a solid foundation for the pole. We suggest a 12" deep concrete foundation.

- 1 Using a 3/4" drill bit, drill a hole about 6" deep in the top of the pole to hold the Main Frame.
- 2 At the desired pole location, dig a 12" x 12" deep hole.

**!** **NOTE:** If you are installing the pole in a cold weather climate, a hole deeper than 12' may be necessary. In this case, use a custom wooden pole longer than 10 ft. to maintain clearance under the finished umbrella.

- 3 Place the pole in the center of the hole.
- 4 Pour a concrete mixture around the pole.
- 5 Using your level, make sure the pole is perfectly upright.
- 6 Allow ample time for the concrete to set before placing the finished frame on top.

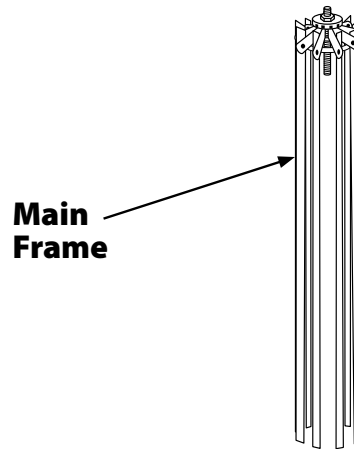
**!** **NOTE:** You can brace the pole with spare timber to ensure that the pole remains perfectly vertical while the concrete dries.



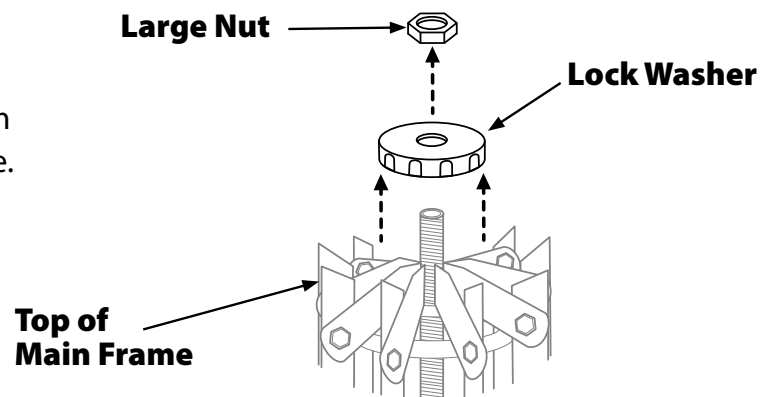
## Frame Assembly

---

- 1 Remove everything from the packing box and lay out all parts on the ground.
- 2 Set the Main Frame (#1) on the ground with the threaded bolt on top and the 8 support arms on the ground.

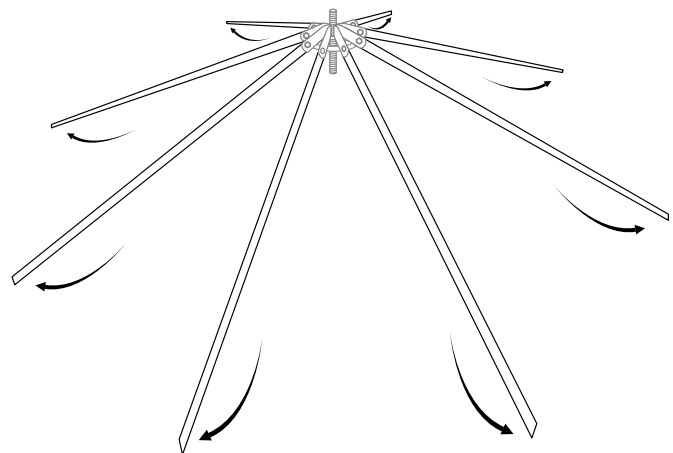


- 3 From the top of the Main Frame, remove the Large Nut (#9) and Lock Washer (#8) from the threaded bolt and set aside.



- 4 Spread the 8 support arms out until the Main Frame stands by itself as shown.

**!** **NOTE:** This step is easier to accomplish with two people working together to spread out the support arms.



## Frame Assembly

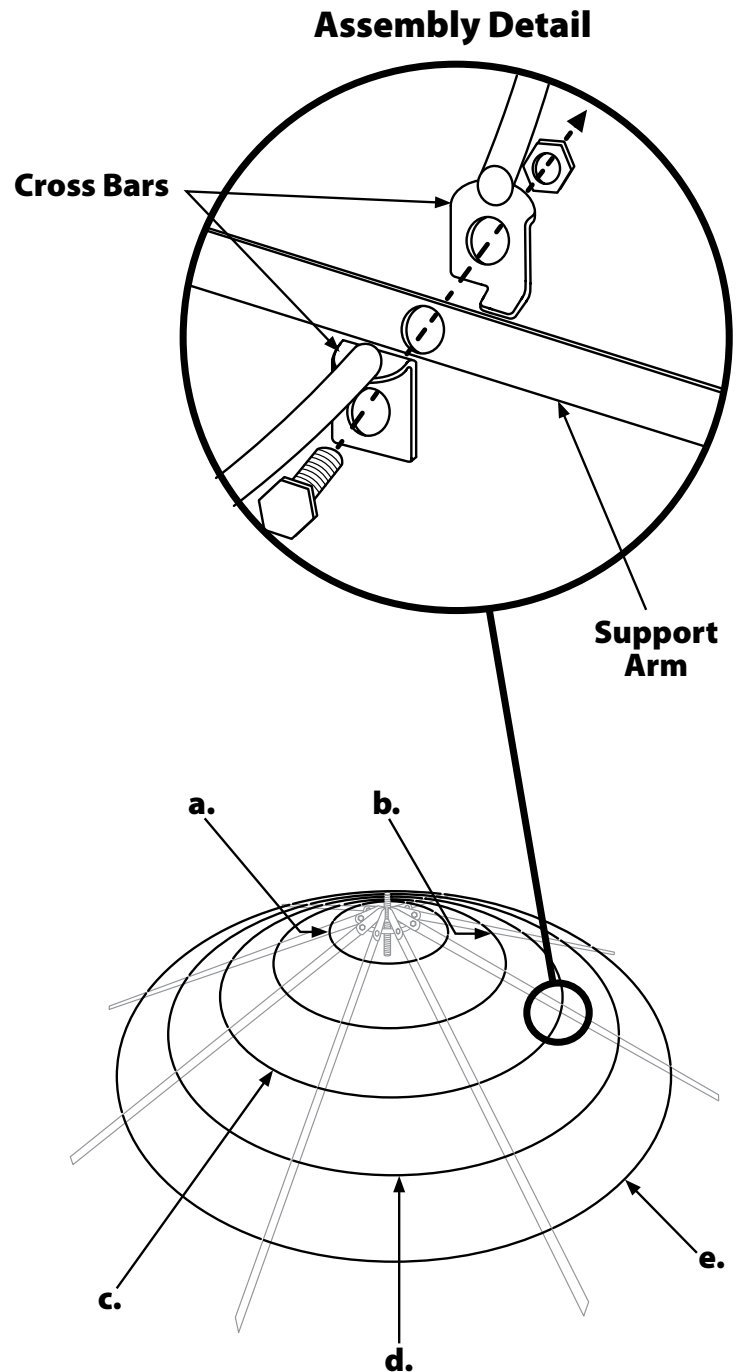
- 5** Refer to the Assembly Detail to install each row of cross bars on the support arms for any size umbrella, starting at the top.

**!** **NOTE:** **Hand tighten** all nuts and bolts until Step 7.

- a.** Attach the Small Cross Bars (**#2**) to the **top holes** (2 at a time together).
- b.** Attach the Medium Cross Bars (**#3**) to the **2nd holes** (2 at a time together).
- c.** Attach the Large Cross Bars (**#4**) to the **4th holes** (2 at a time together).

**!** **NOTE:** The third hole from the top on each size umbrella is not used in this step.

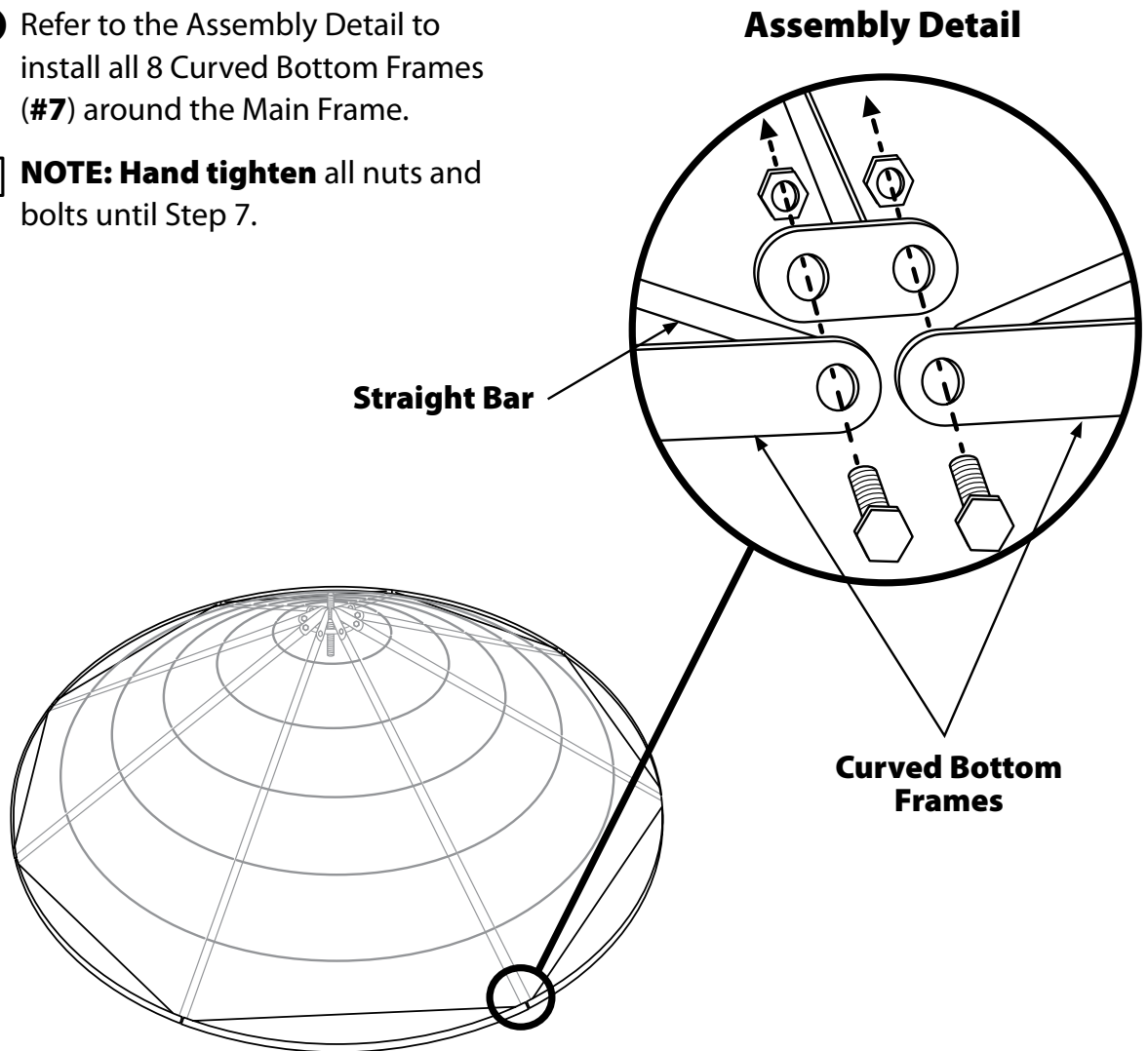
- d.** Attach the Larger Cross Bars (**#5 - 9' and 11' frames only**) to the **5th holes** (2 at a time together).
- e.** Attach the Largest Cross Bars (**#6 - 11' frame only**) to the **6th holes** (2 at a time together).



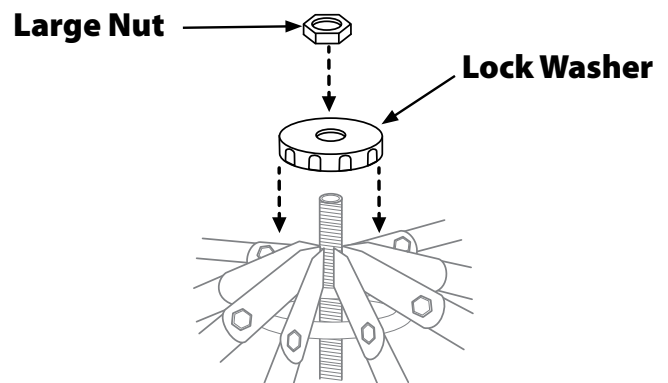
## Frame Assembly

- 6 Refer to the Assembly Detail to install all 8 Curved Bottom Frames (#7) around the Main Frame.

**!** **NOTE: Hand tighten** all nuts and bolts until Step 7.



- 7 Tighten **ALL** nuts and bolts on the entire frame, alternating from side to side for best results.
- 8 Place the Lock Washer (#8) back onto the threaded bolt.
- 9 Thread the Large Nut (#9) onto the bolt and securely tighten.



## Frame Assembly

---

- 10** Lift assembled frame onto 4" post (minimum 2 people).

**!** **NOTE:** Set the threaded bolt into the hole that you drilled in the top of the post.

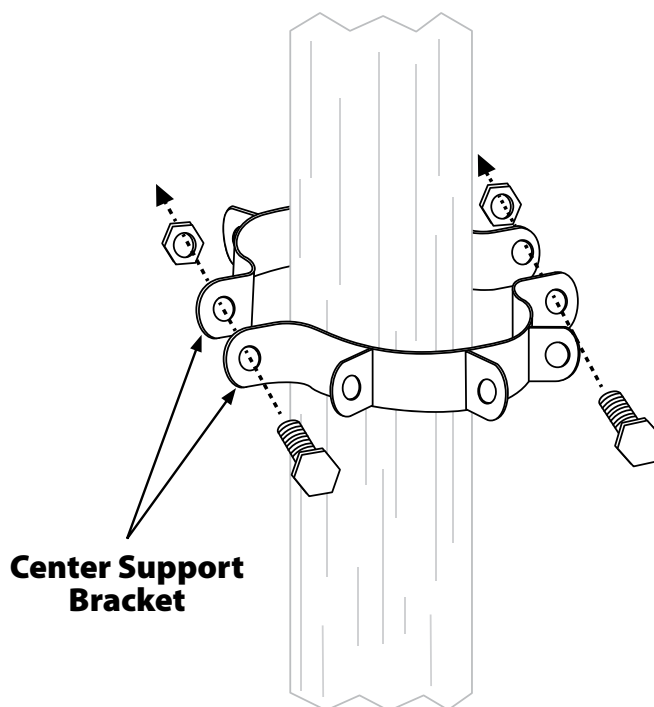
**⚠** **CAUTION:** Use care when climbing your ladder. Ensure that it has stable footing before use.



- 11** From the Center Support Bracket (**#10**), remove the nuts and bolts that hold the two sections together.

- 12** Re-assemble Center Support Bracket around the pole, and secure using the same bolts and nuts as shown. **Hand tighten** only.

**!** **NOTE:** If you are not using the pole that came with the kit, the Center Support Bracket may not fit properly. The Center Supports could be attached to metal eye hooks instead.





## Frame Assembly

- 13** Install the Center Supports (#11) as shown. **Hand tighten** only.

**!** **NOTE:** If you are assembling the 11' umbrella, you will have 8 Center Supports instead of 4, so attach one to every support arm around the frame.

- a.** Attach all Center Supports to the Main Frame.

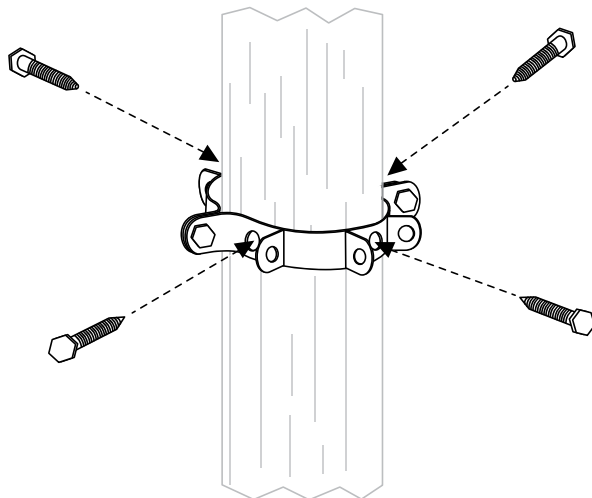
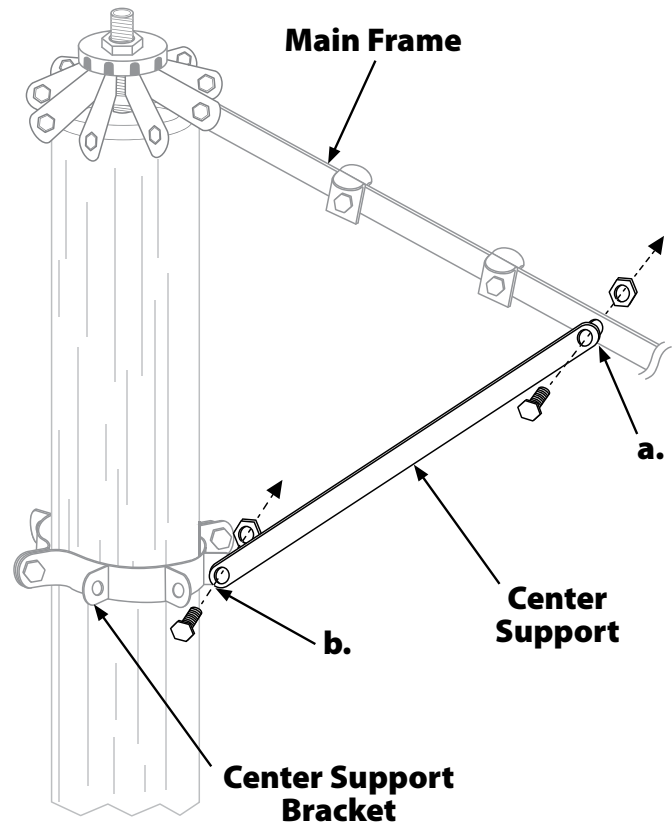
**!** **NOTE:** For 7.5' and 9' umbrellas, use every other support arm around the frame.

- b.** Attach the other end of each Center Support to the Center Support Bracket.

- c.** Tighten **ALL** nuts and bolts on Center Support Bracket and Center Supports.

- 14** Secure the Center Support Bracket to the pole with four 7/16" Wood Screw Lag Bolts (#12).

**!** **NOTE:** Verify your umbrella is level and positioned correctly. Adjust the Center Support Bracket up or down as needed until the umbrella is level.



# Thatch Panel Installation

- 1 Identify the type of thatch included in your kit and verify you have the correct number of panels for your size umbrella.

***If using Zulu Reed thatch:***

There are 2 panels in each kit that are 4 cm thick and are only to be used on the top (smallest diameter) crossbar.

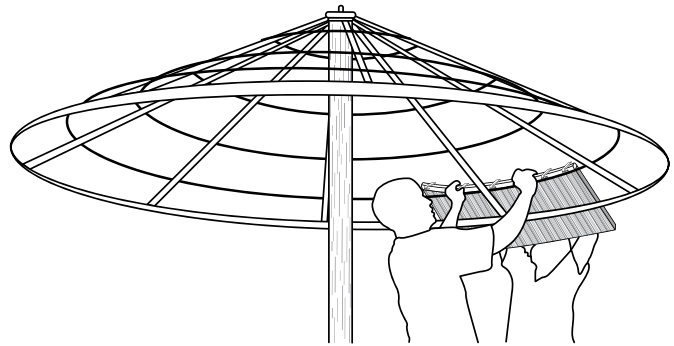
***If using Baja Palm thatch:***

All thatch panels are the same thickness for the entire frame.

- !** **NOTE:** The easiest way to install thatch panels is two people working together as shown.

**Number of Thatch Panels for Each Size Frame**

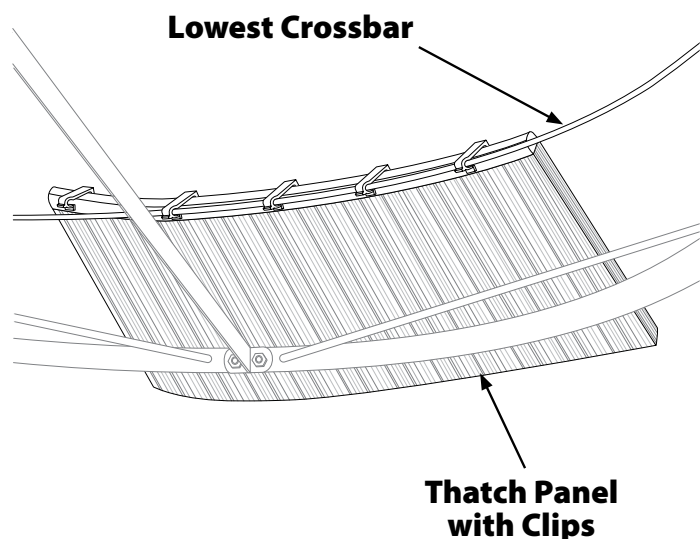
Frame Size	Total # of Panels
7.5'	12
9'	20
11'	30



- 2 Starting on the lowest crossbar, clip the first Thatch Panel to the frame as shown.

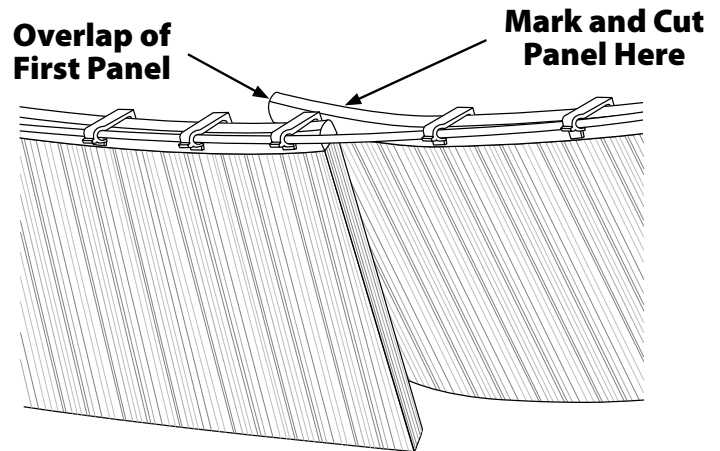
- !** **NOTE:** If you are using Zulu Reed thatch, remember that the two thick (4 cm) panels are only used on the top (smallest diameter) crossbar.

- 3 Continue to clip panels tightly against each other around the frame to complete the row.



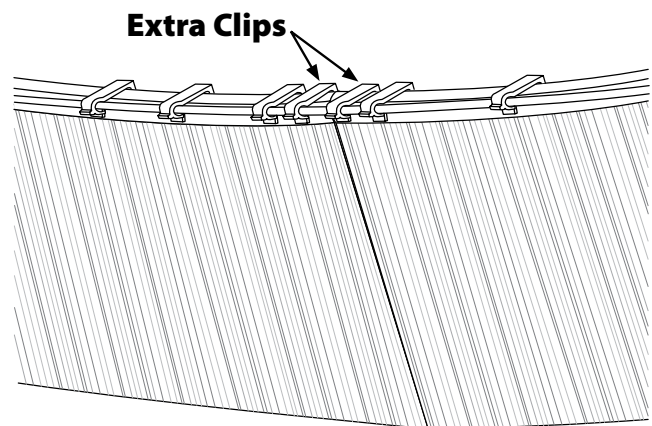
## Thatch Panel Installation

- When the last panel in the row is installed, it will overlap the first panel by a few inches. Carefully mark the panel and cut the panel with a hacksaw or utility knife so it fits tightly next to the first panel.



- Install 2 new clips on the ends of the panels as shown, 1 cm from the end, to ensure a tight seam at the cut.

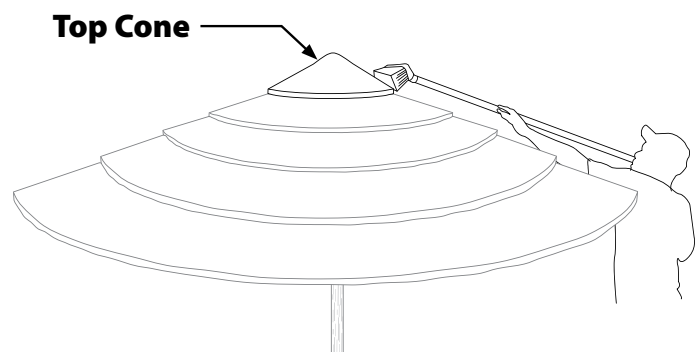
**!** **NOTE:** Extra clips are included in your kit, use the size #8, 3/4" long machine screws to install (2 on the inside, 1 on the outside).



- Repeat the process for each row on your umbrella frame.

**!** **NOTE:** If you are using Zulu Reed thatch, remember that the two thick (4 cm) panels are used on the top crossbar.

- Place the Top Cone on top of the umbrella. Take a step back to make sure it isn't crooked, and then tightly tie the Top Cone to the frame from underneath the umbrella.



**!** **NOTE:** You can use a broom handle to help position the top cone properly.

**Enjoy your new umbrella!**